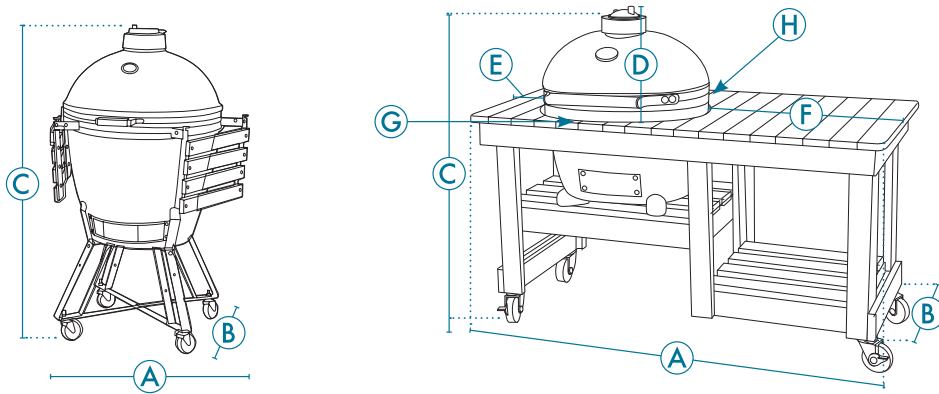


CUSTOM COVER DIMENSIONS

Ceramic Grills

 Email quote request or order to: custom@classicaccessories.com, fax form to 253.395.3991 or call 800.854.2315 with questions.


Please fill in your information below

Customer Name:		Date:	
----------------	--	-------	--

For the best fit we recommend including a picture of the item you are requesting a custom cover for

Please fill in the measurements in inches according to the diagram above

A	Overall Length	
B	Diameter of stand alone grill or Depth with cart	
C	Overall Height	
D	Grill head Height from table top	
E	Left table Length to side of grill	
F	Right table Length from grill	
G	Front of table to front of grill	
H	Back of grill to back of table top	

Additional information needed for this custom cover

?	Does your island have accessories that will effect the overall height of your island? (sink faucets, beer taps, etc.) Y / N	
?	If yes, what side are they are and how many?	Height of accessories from table top:

 ** Please refer to your furniture's manufacture manual as some finishes, sealants or coatings could react to PVC backed covers.

Please select the best attachment for your application:

<input type="checkbox"/>	Buckle and strap	<input type="checkbox"/>	Hook and Loop
<input type="checkbox"/>	Bungie with Toggle	<input type="checkbox"/>	Elastic in Hem - Like a showercap